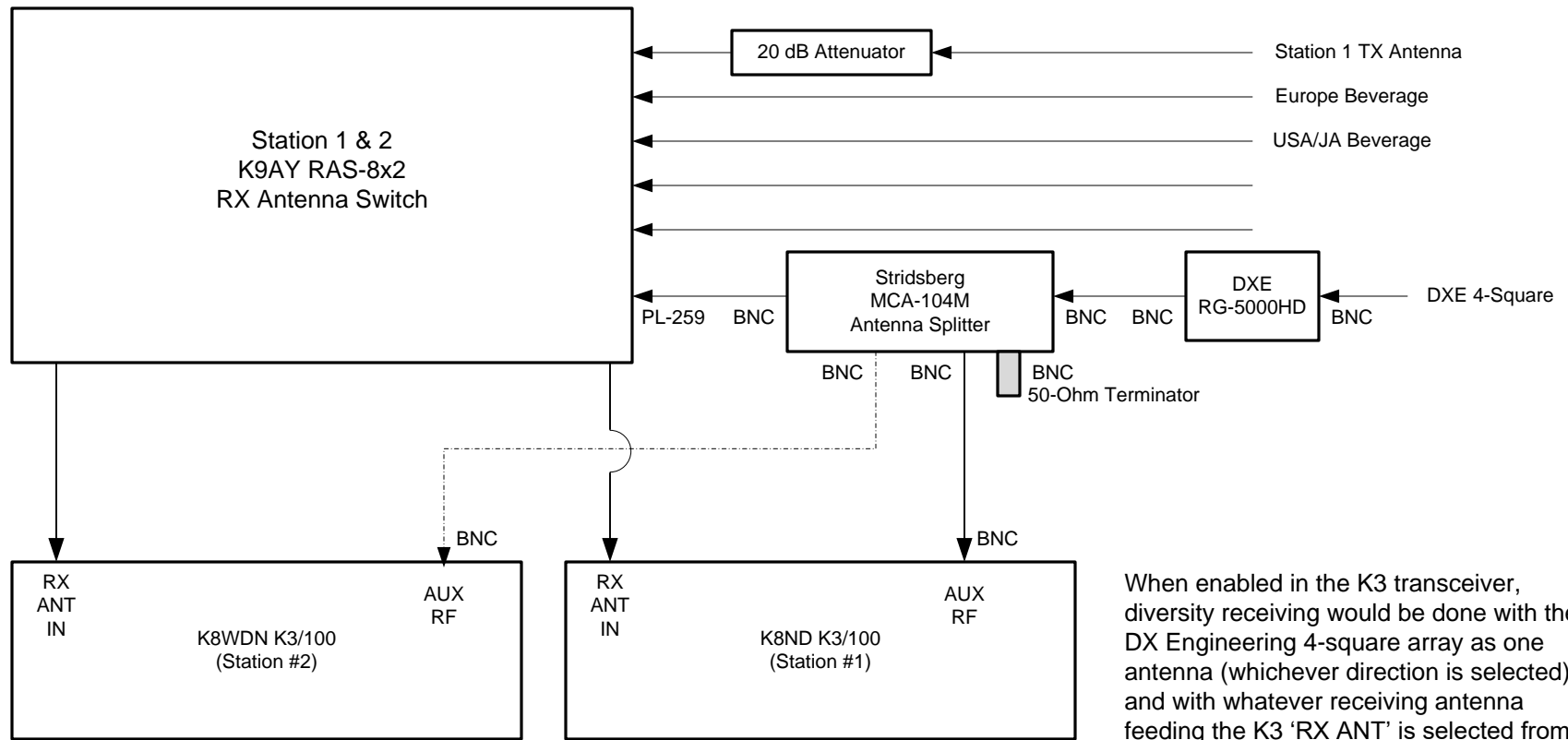


2017 PJ2T Station Diversity Receiving



When enabled in the K3 transceiver, diversity receiving would be done with the DX Engineering 4-square array as one antenna (whichever direction is selected) and with whatever receiving antenna feeding the K3 'RX ANT' is selected from the K9AY RX antenna switch.